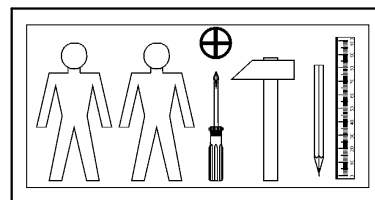
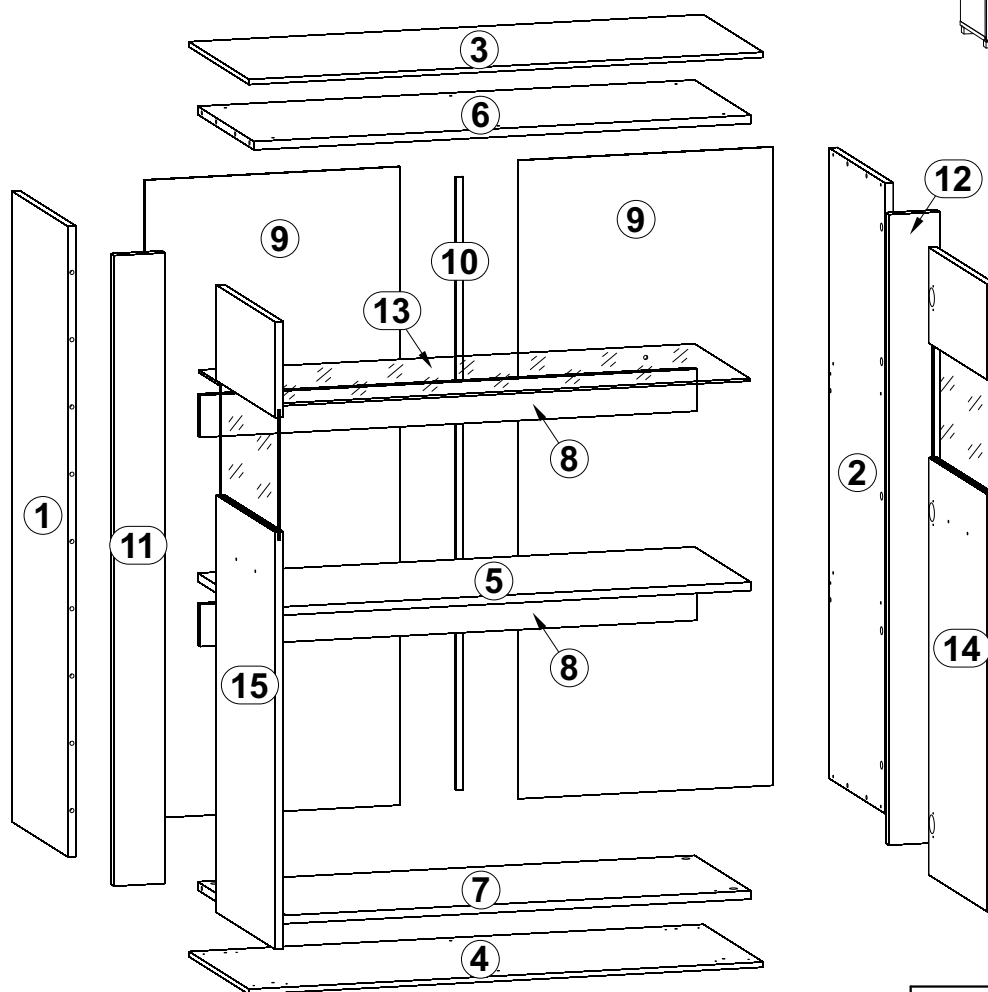
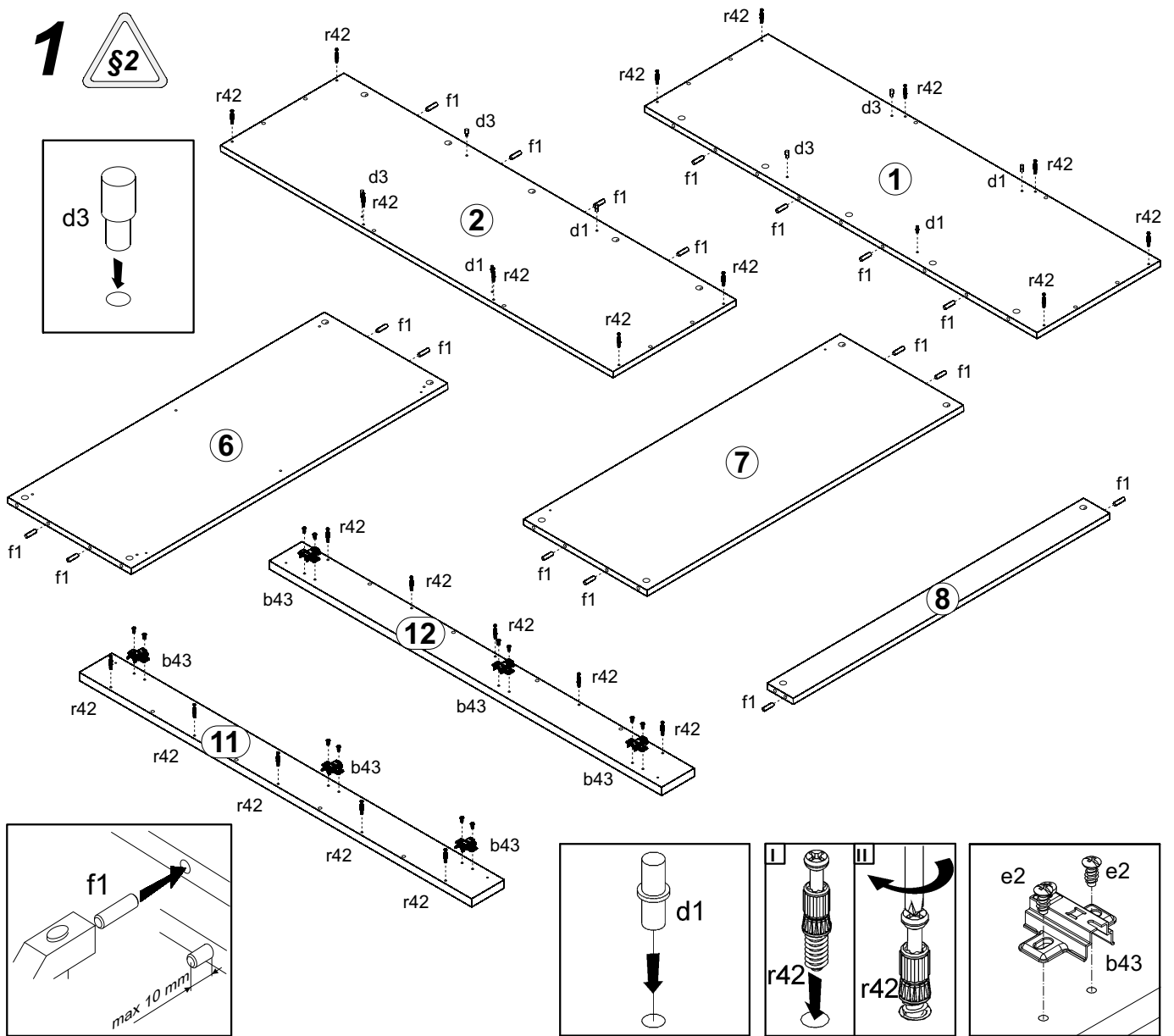
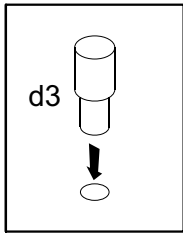


A	B	C	D	A	B	C	D		
1	S311-122	1200	377	1/4	9	S311-910	1215	497	1/4
2	S311-123	1200	377	1/4	10	LH-1166	1166	14	1/4
3	S311-209	1002	402	1/4	11	S311-427	1200	100	2/4
4	S311-210	1002	402	1/4	12	S311-428	1200	100	2/4
5	S311-312	968	377	1/4	13	S311-517	966	371	3/4
6	S311-316	968	377	1/4	14	S311-010	396	1194	4/4
7	S311-317	968	377	1/4	15	S311-011	396	1194	4/4
8	S311-443	968	80	1/4					

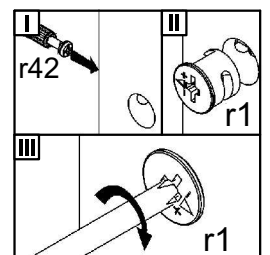
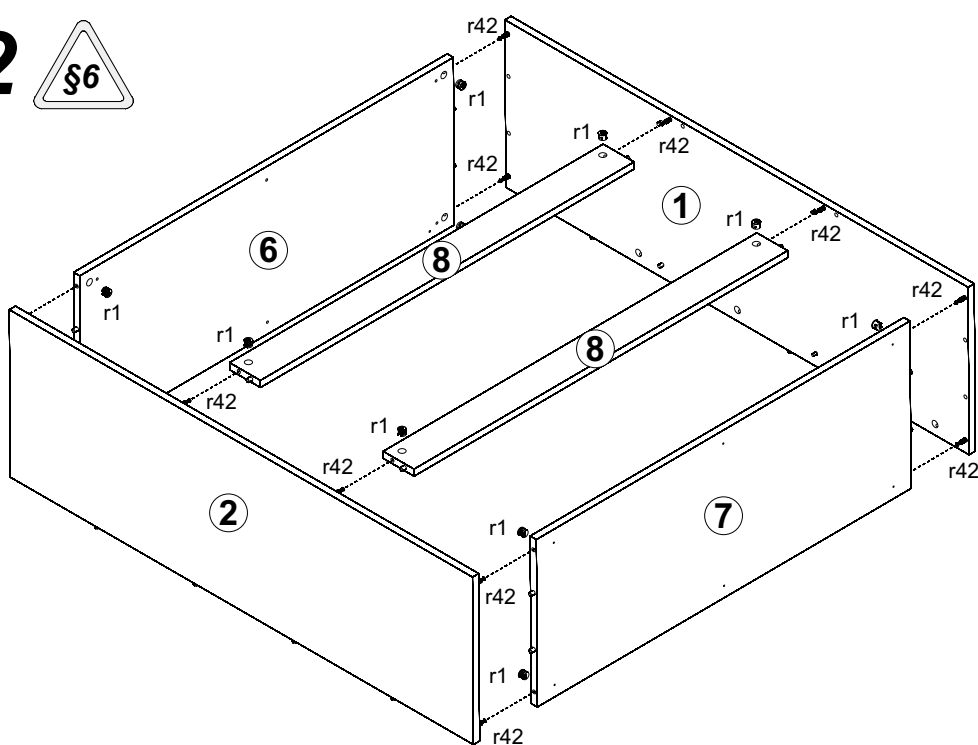


6x a99	6x b43	2x 128mm c392	4x φ5x17 mm d1	4x φ5x17 mm d3	12x φ6,3x13 mm e2	8x φ5x12 mm e41	20x φ8x30 mm f1
4x k87	45x l1	1x n26/1	4x 25x25x162 n110	8x φ4x30 mm p9	9x φ3,5x16 mm p38	12x φ3,5x15 mm p51	6x φ4x22 mm p56
6x φ4x22 mm p401	4x φ4x25 mm p87	22x φ15x12mm #16 r1	22x 20/11 r42	18x φ16 s2	2x o43/1	1x o43/6	

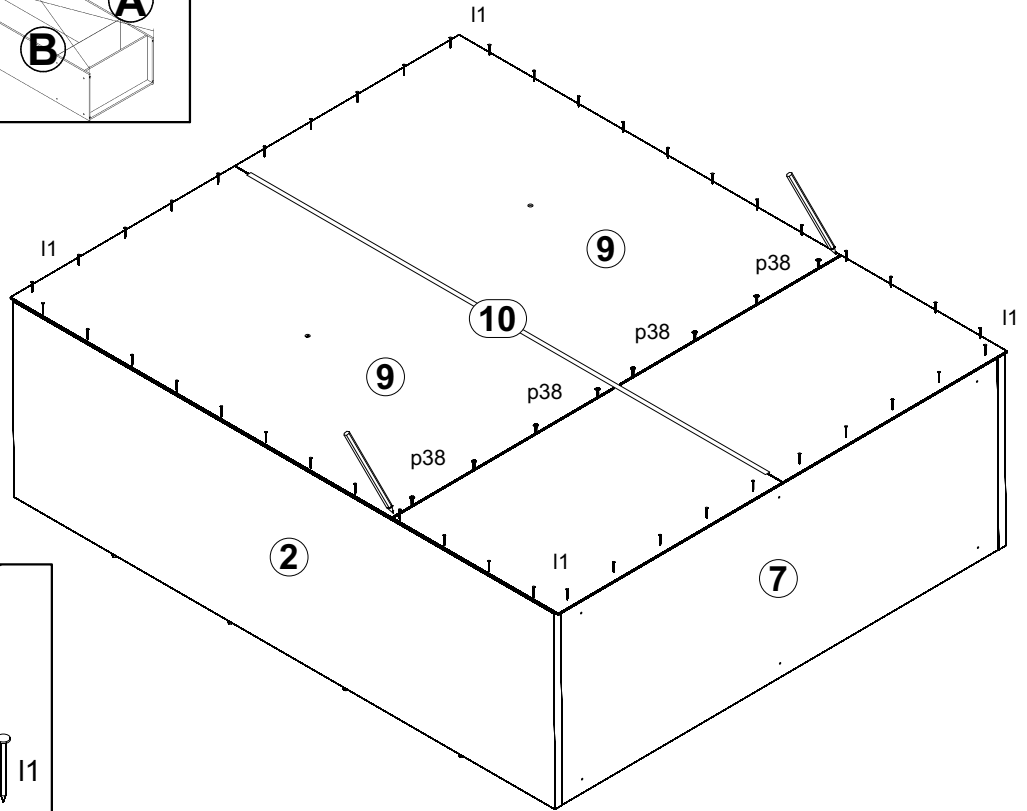
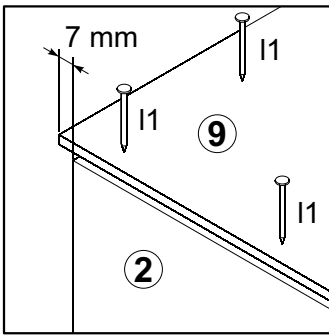
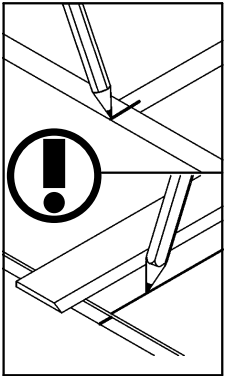
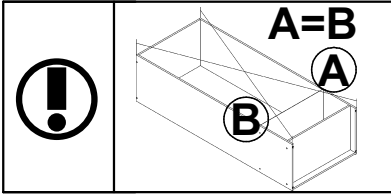
1



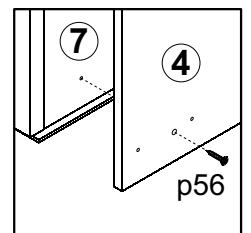
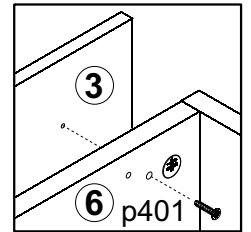
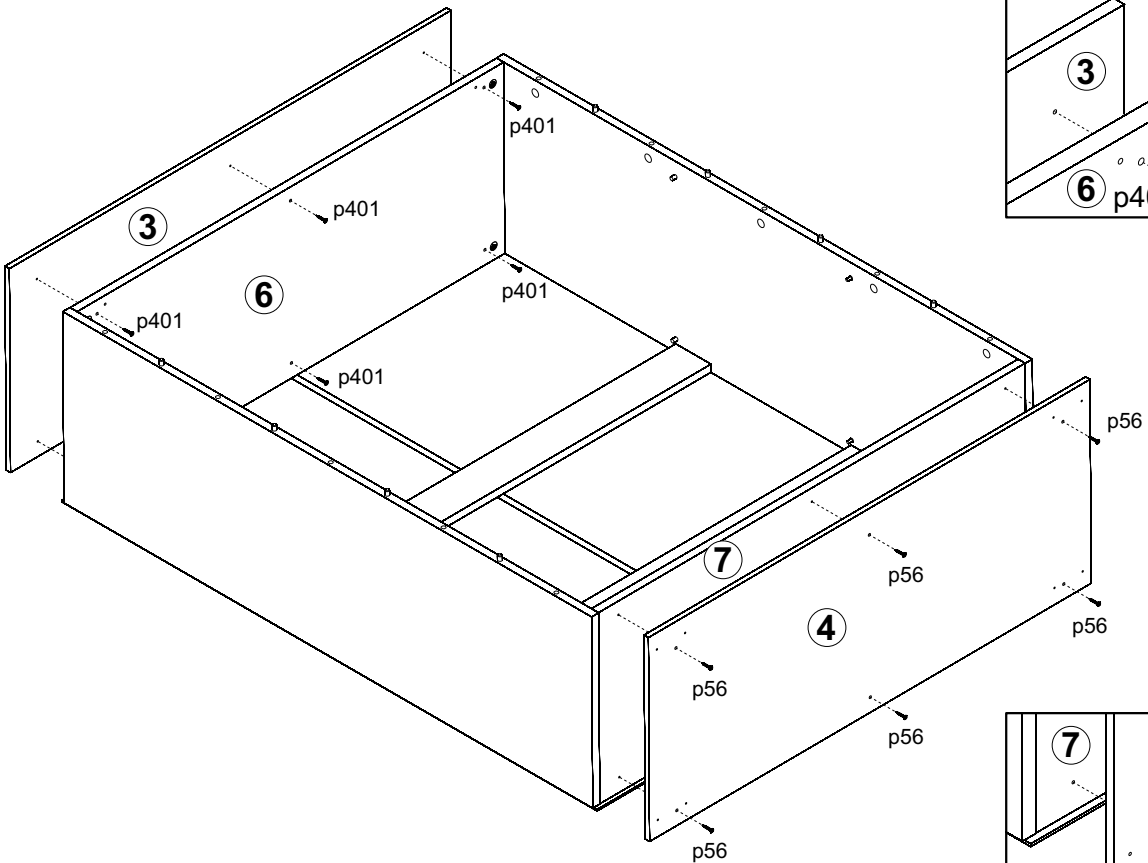
2



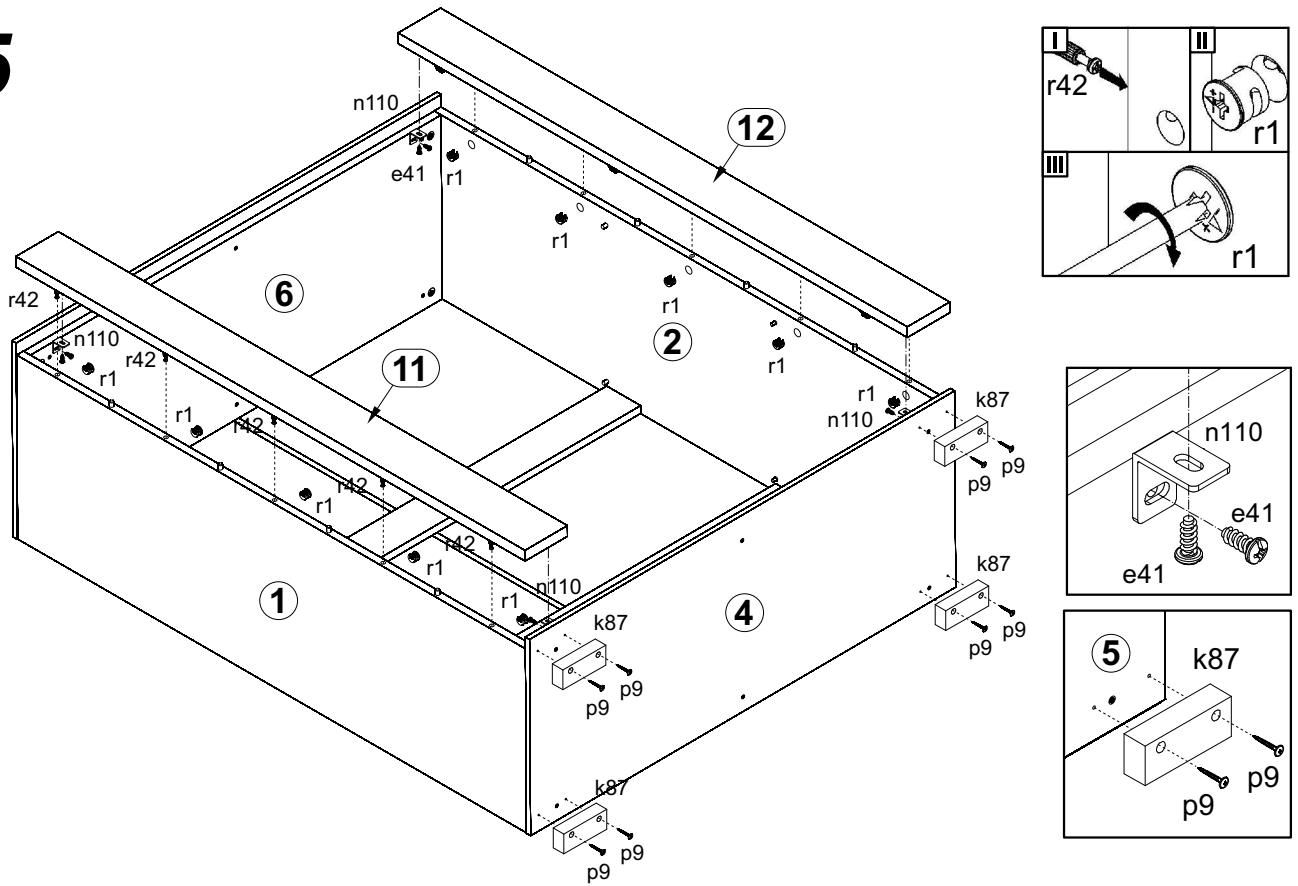
3



4



5



6

